

brand	MC CULLOCH - PARTNER
-------	-----------------------------

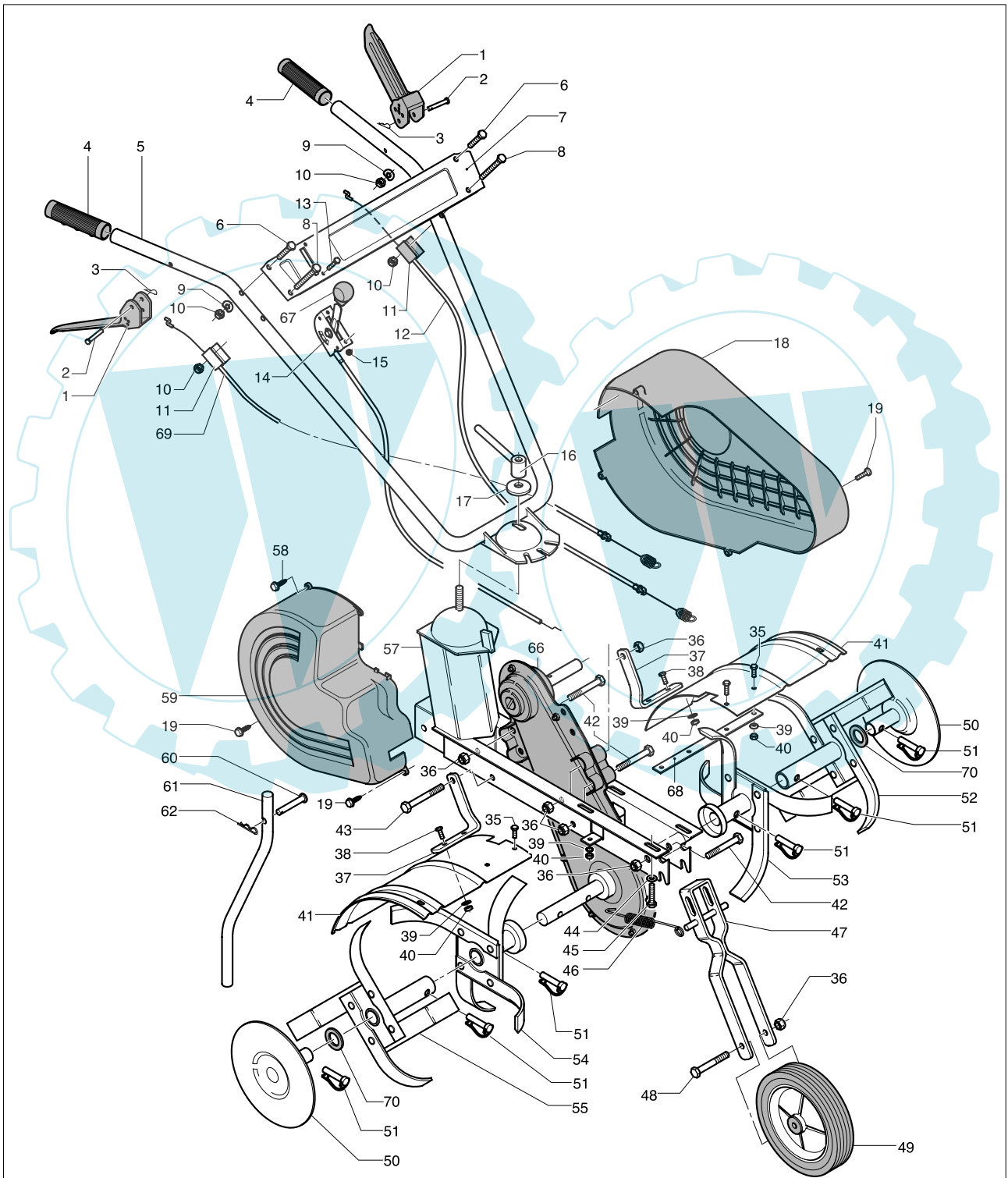
date	MAR/04	SHEET 1/4
------	--------	-----------

Model

FT 5054 RB
PFT 5054 RB

Product number

9538783-18
9538781-12



 **The Electrolux Group. The world's No. 1 choice.**

brand | **MC CULLOCH - PARTNER**

date | feb-04 | SHEET 02/04

Model

MFT 5054 RB - PFT 5054 RB

Pos.	PN ELX	MEP Pn°	DESCRIPTION	Q.ty
1	531205422	10128683	CLUTCH HANDLE	2
2	531207409	10651400	PIN	2
3	531207408	10651300	COTTER PIN	2
4	531207131	10500033	SHEATING	2
5	531207572	10685001	HANDLE	1
6	531207441	10655200	SCREW	2
7	531207518	10679703	DASH-BOARD	1
8	531205011	10118600	SCREW	2
9	531204961	10115900	WASHER	2
10	531208491	20281800	NUT	4
11	531208043	20121983	SUPPORT	2
12	531207619	10690400	CABLE	1
13	531207270	10547300	SCREW	2
14	531207613	10688700	CABLE	1
15	531208661	20501380	NUT	2
16	531207508	10673700	LEVER	1
17	531207509	10674100	WASHER	1
18	531207523	10681103	BELT HOUSING	1
19	531207120	10427400	SCREW	4
35	531208660	20501370	SCREW	4
36	531207161	10501160	NUT	5
37	531207420	10652303	SUPPORT	2
38	531208769	20655100	SCREW	2
39	531208499	20286606	WASHER	6
40	531207165	10501200	NUT	6
41	531207536	10682001	SAFETY HOUSING	2
42	531207416	10652000	SCREW	3
43	531207511	10677400	SCREW	1
44	531204922	10114200	WASHER	8
45	531207044	10390800	SCREW	4

Pos.	PN ELX	MEP Pn°	DESCRIPTION	Q.ty
46	531207562	10684100	SPRING	1
47	531207545	10682903	BEARING	1
48	531207576	10685200	SCREW	1
49	531207583	10685903	WHEEL	1
50	531207476	10660003	DISK	2
51	531208634	20500910	PIN WITH SPRING	6
52	531207464	10658603	EXTERNAL LEFT STAR	1
53	531207507	10673403	INNER LEFT STAR	1
54	531207506	10673303	INNER RIGHT STAR	1
55	531207463	10658503	EXTERNAL RIGHT STAR	1
57	531207559	10683901	DECK	1
58	531208216	20135720	SCREW	1
59	531207529	10681903	HOUSING	1
60	531207406	10651100	PIN	1
61	531207550	10683700	ROD	1
62	531208657	20501290	COTTER PIN	1
66	531207516	10679303	GEAR-BOX	1
67	531206970	10303403	KNOP	1
68	531207600	10687803	ROD	1
69	531207565	10684500	CABLE	1
70	531211004	10690423	WASHER	2

brand	MC CULLOCH - PARTNER
-------	-----------------------------

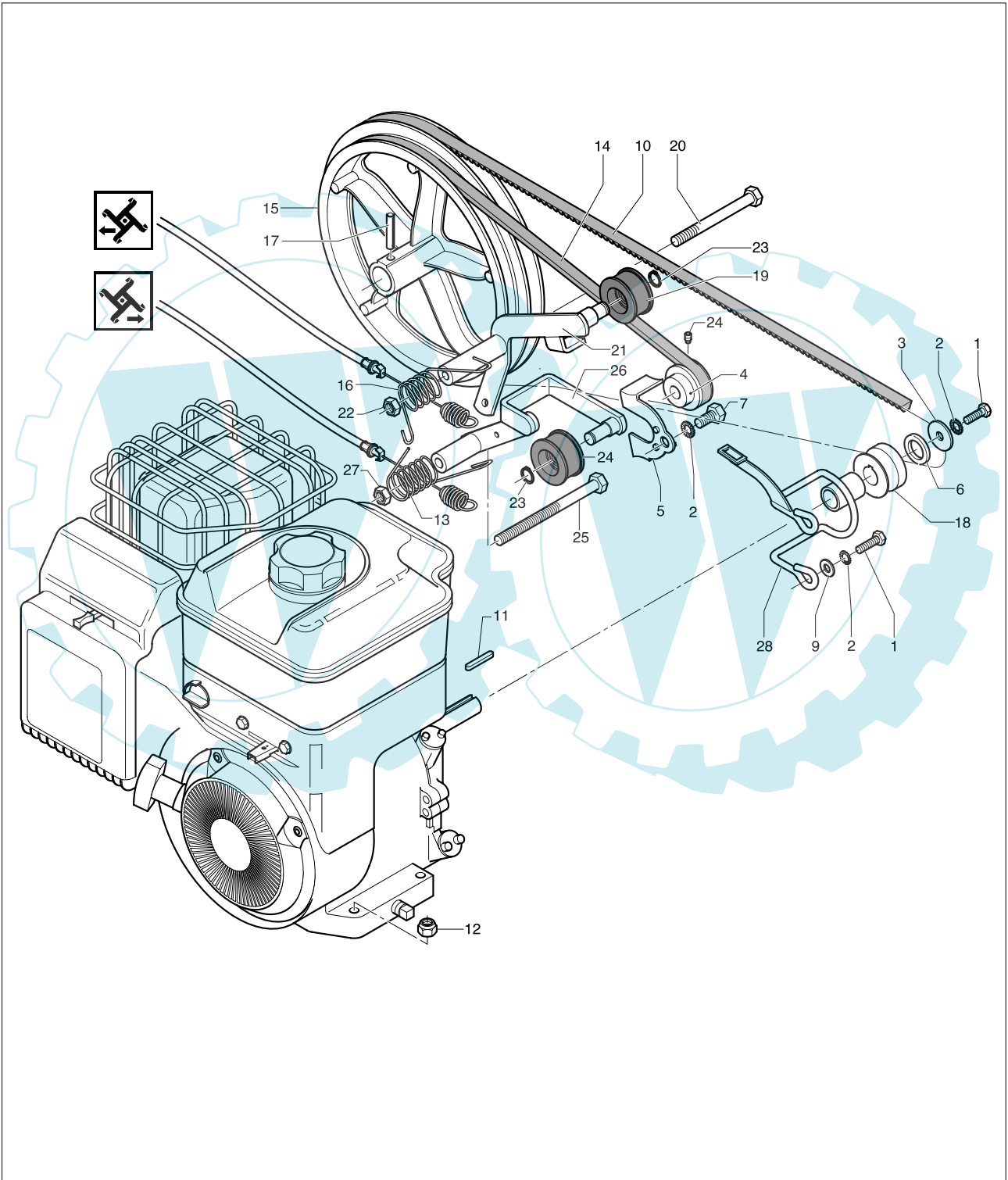
date	MAR/04	SHEET 3/4
------	--------	-----------

Model

FT 5054 RB
PFT 5054 RB

Product number

9538783-18
9538781-12



brand | **MC CULLOCH - PARTNER**

date | feb-04 | SHEET 04/04

Model

MFT 5054 RB - PFT 5054 RB

Pos.	PN ELX	MEP Pn°	DESCRIPTION	Q.ty
1	531207596	10687300	SCREW	3
2	531207981	20106200	WASHER	4
3	531205552	10135380	WASHER	1
4	531207594	10687000	PIN	1
5	531207602	10688000	BELT HOUSING	1
6	531207503	10671900	PULLEY	1
7	531207430	10654300	SCREW	1
8	531207597	10687400	SCREW	1
9	531204922	10114200	WASHER	2
10	531207616	10689500	BELT	1
11	531207432	10654500	KEY	1
12	531208599	20404900	NUT	1
13	531207563	10684200	SPRING	1
14	531207431	10654400	BELT	1
15	531207488	10670100	PULLEY	1
16	531207564	10684300	SPRING	1
17	531208404	20228214	RESILIENT PIN	1
18	531207617	10689600	SPACER	1
19	531204430	O9128633	ENGINE	2

Pos.	PN ELX	MEP Pn°	DESCRIPTION	Q.ty
20	531205005	10118000	SCREW	1
21	531207611	10688500	BELT STRETCHER	1
22	531207978	20101700	NUT	1
23	531208772	20655800	SEEGER	2
25	531207426	10653700	PIN	1
26	531207612	10688600	BELT STRETCHER	1
27	531208658	20501310	NUT	2
28	531207578	10685400	BELT SLIDE	1